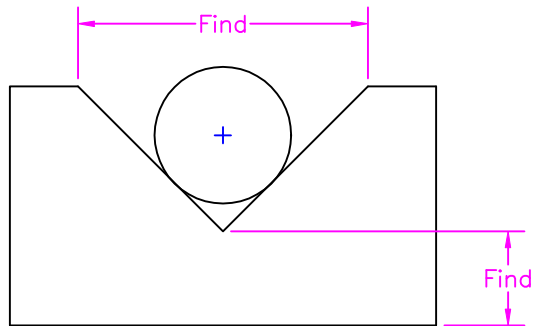


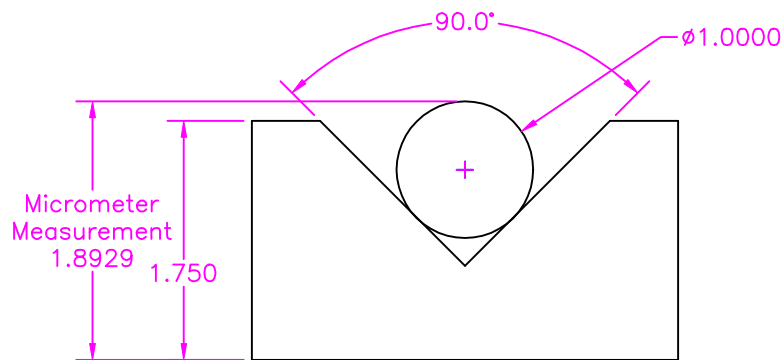
## Pin Nested in Vee Instructions

3-25-01 Nested Pin Instructions pg1.DWG

Calculating the width or depth of a Vee from measuring over a pin.



Sample part dimensions as follows.  
This method assumes Vee angle is correct.



1. Draw a line from the center of the Pin to where it intersects the Vee.  
This line will always make a 90° corner to the side of the Vee block it intersects.

