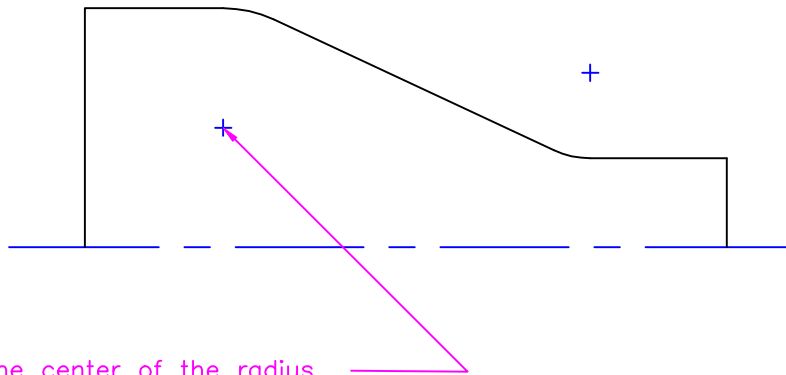


Radius Intersecting Angled Line

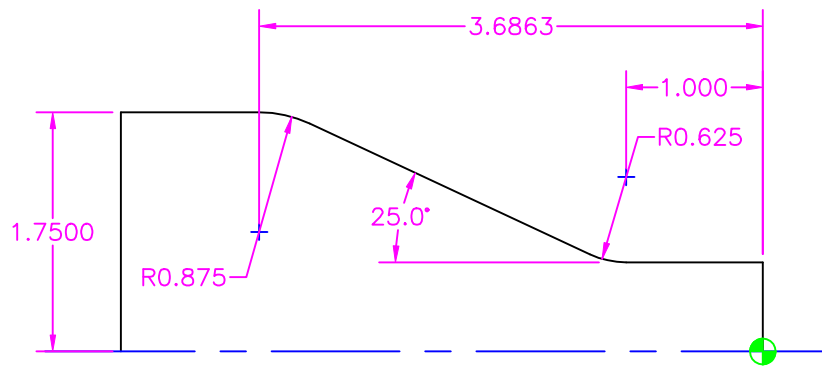
1-23-01 Radius intersecting tangent lines pg1.DWG

Determining the intersection point of an angled line and a radius.
Works on inside or outside radii.



1. Locate the center of the radius.

2. Determine the angle of the intersecting line.
In this example the angle is 25° off the primary axis.



3. Draw a line from the center of the radius to the intersecting line, perpendicular to the line.

