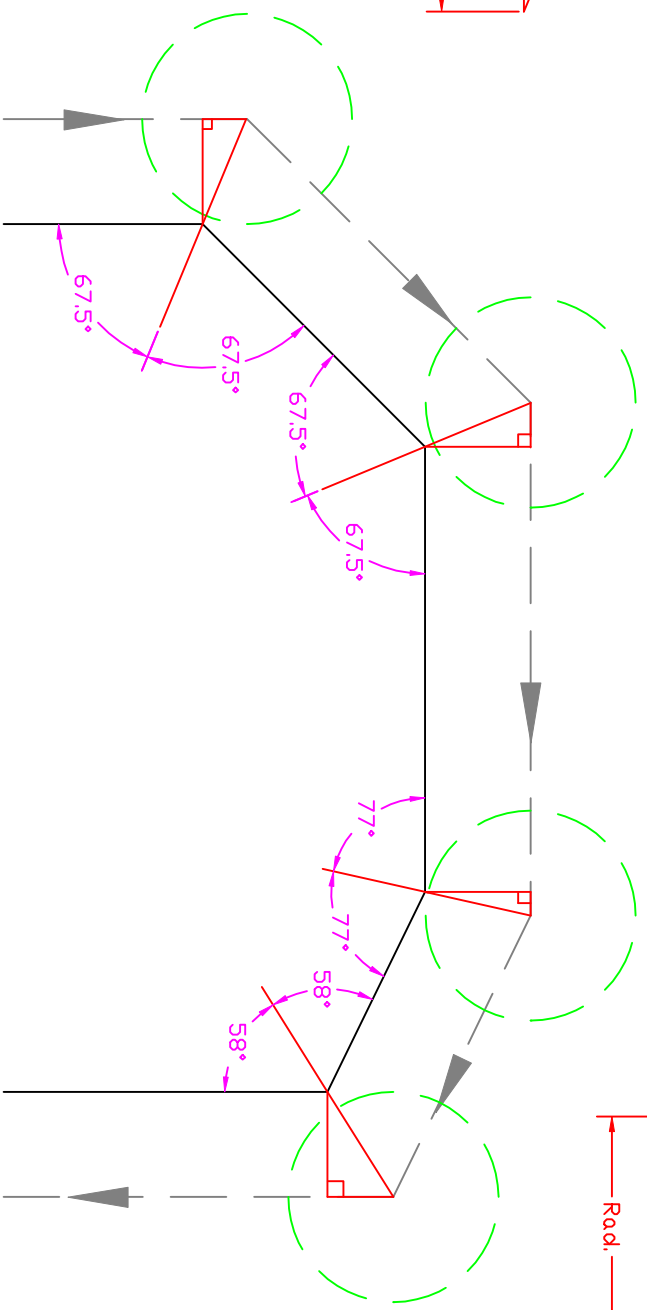
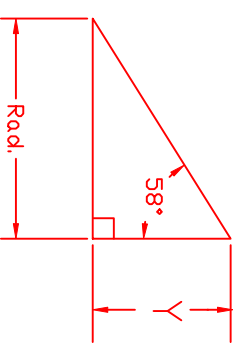
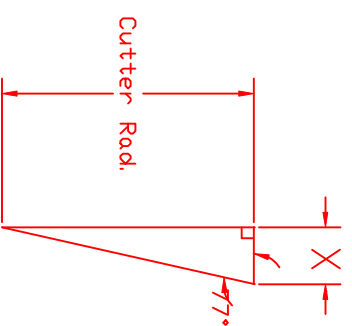
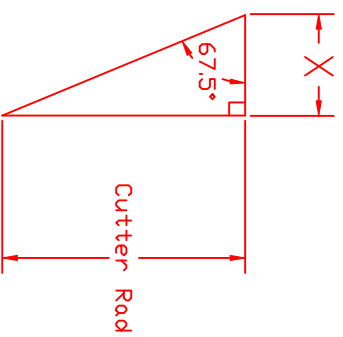
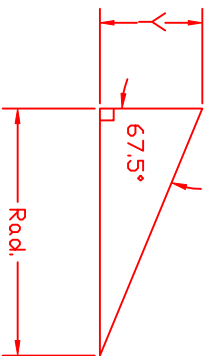


2nd Step: Divide Included angles by 2 & draw triangles

$$135^\circ/2 = 67.5^\circ$$
$$154^\circ/2 = 77^\circ$$
$$116^\circ/2 = 58^\circ$$



Sample Part

Cutterc3.DWG

4-23-98